

Technical data sheet

Device support SL GT110

Item number: 6134506



Empty device support for the SL, SL-L and SL-T skirting trunking systems, for the installation of devices in Modul 45 design in trunking width 100 mm. When data modules are used, due to their design, compliance with the mandatory bending radius of the data cables is potentially not guaranteed.



PVC Polyvinylchloride

Master data

Item number	6134506
Description 1	Mounting box
Description 2	SL double 110 Modul 45 9010
Manufacturer	OBO
Dimension	116x179x50
Colour	Pure white; RAL 9010
Material	Polyvinylchloride
Smallest sales unit	1
Unit of quantity	Piece
Weight	15.3 kg
Weight unit	kg/100 pc.

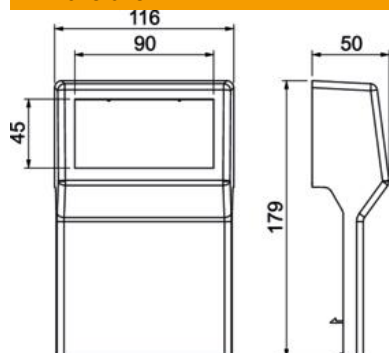
Technical data sheet

Device support SL GT110

Item number: 6134506



Dimensions



Length	116 mm
Width	179 mm
Height	50 mm

Technical data

Equipment	Without
Decoration	Without
Halogen-free	no
Duct height, min.	110 mm