

Technical data sheet

Junction box X 04 with cable glands and plug-in terminals

Item number: 2005248



Junction box with terminal for the connection of cables in indoor and outdoor areas. Square design with knock-out entries. Suitable for wall and ceiling mounting with the option to fasten outside, inside or to mount via the corner domes. Particularly impact resistant with IK09. Cover with quick lock, sealable. Made from halogen-free and UV-resistant materials.

With 3 universal screwless terminals (5-pole), 3 cable glands V-TEC M20 and 3 locknuts.

Junction box according to DIN EN 60670. Flame-resistant to DIN EN 60695/2/11, test temperature 650°C. Impact resistance IK09 according to DIN EN 50102. Protection rating IP67 according to DIN EN 60529. Three universal clamps (with 5 clamping points), three V-TEC M25 cable glands and three matching locknuts are included.



PC Polycarbonate

Master data

Item number	2005248
Type	X04 UT G LGR
Description 1	Junction box
Description 2	5x61x525 FL, 3xV-TEC VM, 3x116
Manufacturer	OBO
Dimension	114x114x78
Colour	Light grey; RAL 7035
Material	Polycarbonate
Smallest sales unit	1
Unit of quantity	Piece
Weight	33.5 kg
Weight unit	kg/100 pc.

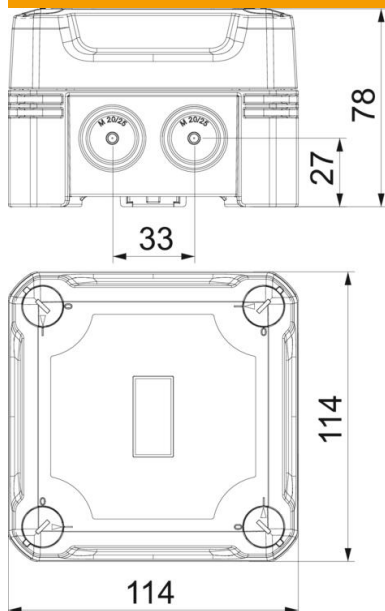
Technical data sheet

Junction box X 04 with cable glands and plug-in terminals



Item number: 2005248

Dimensions



Length	114 mm
Width	114 mm
Height	78 mm

Technical data

Expandable	yes
No. of entries	7
Type of entry	Cuttable stepped membrane
Type of housing penetration	Pre-marking
Measured insulation voltage V_i	750 V
Equipment	Terminal
Cover	Not transparent
Cover fastening	Screwed
Entry from rear	no
Entries	7 x $\varnothing 20/25$
Explosion-tested version	no
Flame-resistant	acc. to VDE 0471/DIN 695 Part 2-1, test temperature 650°C
Shape	Square
Fibre-glass reinforced	yes
Halogen-free	yes
Clear internal dimensions	102x102x60 mm
Max. Conductor cross-section	4 mm ²
With screening	no
with lid	yes
Mounting type	Wall/ceiling mounting
Nominal cross-section, max.	4 mm ²
Nominal cross-section, min.	1.5 mm ²
Nominal voltage	750 V
Sealable	yes
Impact-resistant	yes
Protection rating	IP67
Protection rating IK code	IK09

Technical data sheet

Junction box X 04 with cable glands and plug-in terminals

Item number: 2005248



Technical data

Permitted temperature range, max.	60 °C
Permitted temperature range, min.	-5 °C
Weatherproof	yes